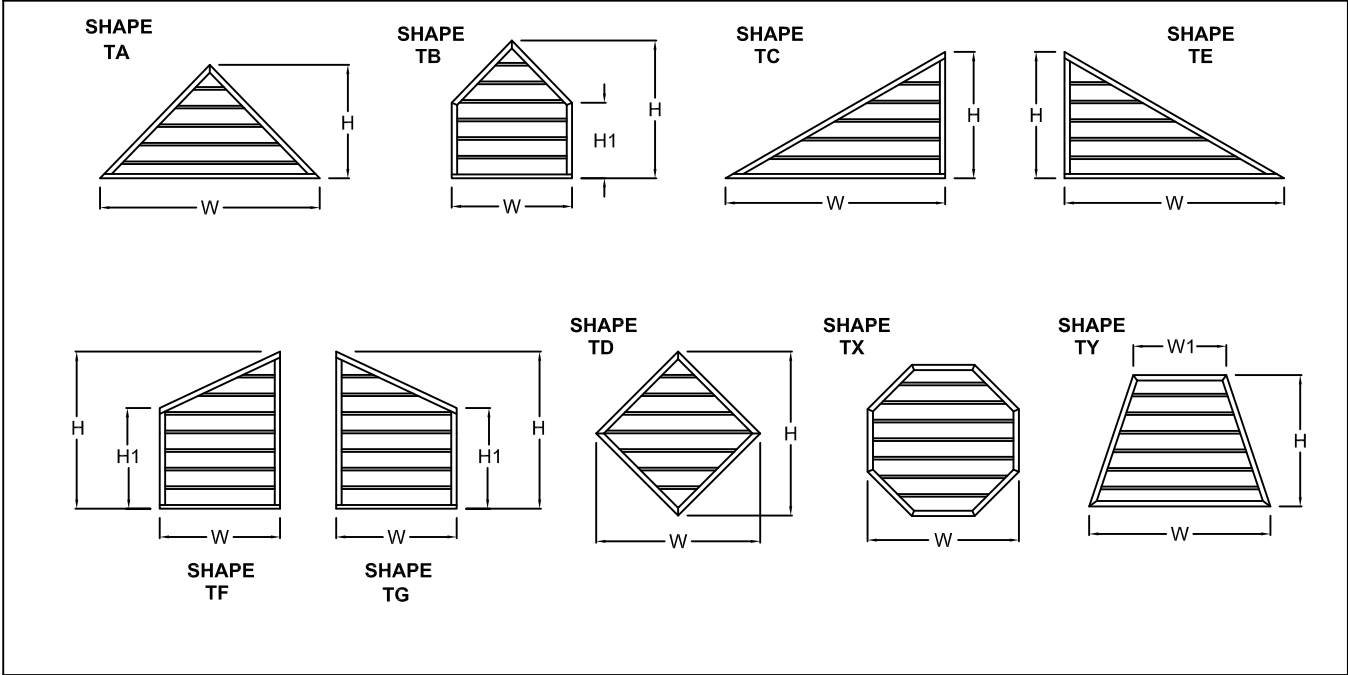


Specialty Louver Shapes

Triangular Louvers




Notes:
 (1) Special shaped louvers are not AMCA tested for water penetration or air flow resistance.
 (2) Conservative air flows should be used when sizing louvers to help prevent water carry over.
 (3) Louvers are undersized 1/4" unless otherwise noted.

Qty.	Model	Shape	Size			Options/Accessories
			W	H	H1	

Project: _____
Contractor: _____

Location: _____
Design Specifier: _____

Due to continuing research, United Energetech reserves the right to change specifications without notice.



3005 South Hickory Street
 Chattanooga, Tennessee 37407
 Tel: (423) 698-7715
 Fax: (423) 698-6629
 www.unitedenergetech.com

Specialty Louver Shapes (Circular and Semicircular Louvers)

DRAWN BY: MHM	DATE: 3-22-10	REV. DATE:	REV. NO.	APPROVED BY: BGT	DWG. NO.: A-52
------------------	------------------	------------	----------	---------------------	--------------------------